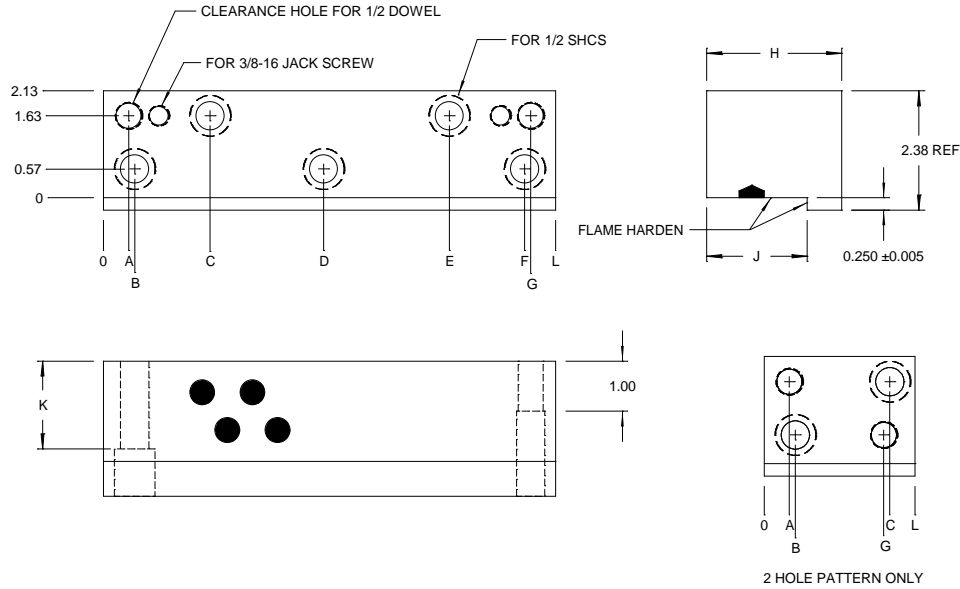


Furnished standard with clearance portion of dowel holes pre-drilled.
Reamed dowel holes available on special order!



Prefix	H	J +/- .001	K
8KM	1.62	1.00	1.00
10KM	1.88	1.25	1.25
12KM	2.12	1.50	1.50
14KM	2.44	1.75	1.75
16KM	2.69	2.00	1.75
18KM	2.88	2.25	1.75
20KM	3.25	2.50	1.75
22KM	3.38	2.75	1.75

Materials: 4140 flame hardened to Rc 56-62

Tolerances: +/- .010 unless otherwise indicated

Suffix	L	Holes	A	B	C	D	E	F	G
24G	3.00	2	0.50	0.62	2.50				2.38
32G	4.00	3	0.50	0.62	2.12			3.38	3.50
40G	5.00	3	0.50	0.62	2.12			4.38	4.50
48G	6.00	3	0.50	0.62	2.12			5.38	5.50
56G	7.00	4	0.50	0.62	2.12		4.88	6.38	6.50
64G	8.00	4	0.50	0.62	2.12		5.88	7.38	7.50
72G	9.00	5	0.50	0.62	2.12	4.38	6.88	8.38	8.5
80G	10.00	5	0.50	0.62	2.12	5.38	7.88	9.38	9.5

Ordering Note: Catalog Number = Prefix + Suffix

Example: 18KM64G = 2.25 under lip; 8 length