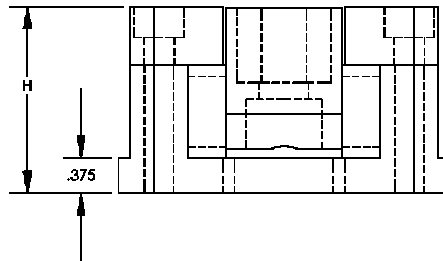
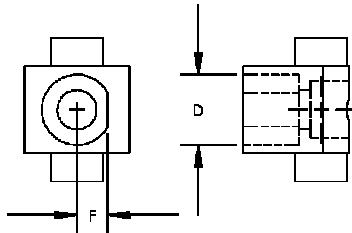
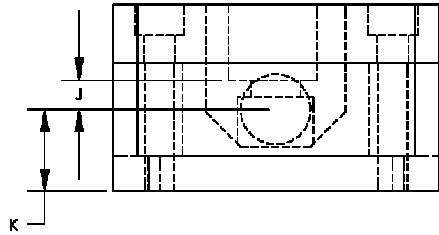
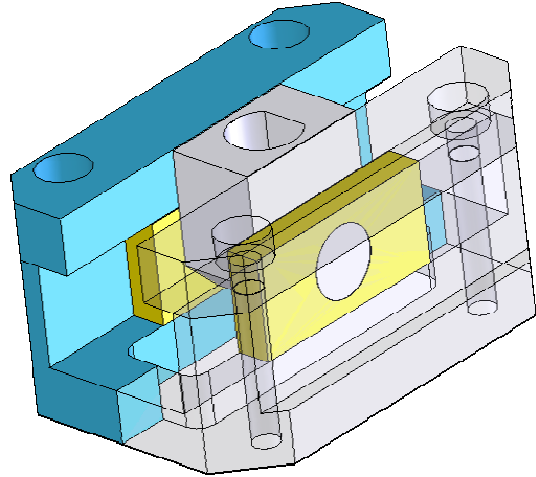
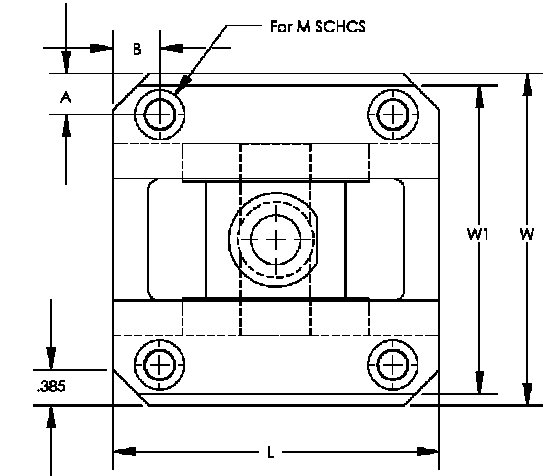


- Reduces Build Time!
- Accommodates lifter rod angles up to 30 degrees
- Available with or without graphite



Materials: Bearing Block: Aluminum Bronze; 4140 Rc 28-32

Tolerances: L, W, H: +0/-.010; All Other: +/- .005

| Code | Lifter Rod | | | Base | | | | | | | | |
|----------|------------|----------|-------|-------|-------|-------|-------|-----|------|-------|-------|-------|
| | D (dia) | F (flat) | Screw | W | W1 | L | A | B | M | J | K | H |
| TGA22284 | 0.500 | 0.190 | 1/4 | 2.189 | 1.939 | 3.000 | 0.345 | 0.5 | #10 | 0.265 | 0.734 | 1.507 |
| TGA26286 | 0.750 | 0.315 | 3/8 | 2.889 | 2.701 | 3.250 | 0.363 | 0.5 | 1/4 | 0.240 | 0.859 | 1.757 |
| TGA28288 | 1.000 | 0.440 | 1/2 | 3.562 | 3.312 | 3.500 | 0.438 | 0.5 | 5/16 | 0.313 | 0.875 | 2.008 |

Catalog Number:

TGA28288

G

Code

G = Graphite; X = No Graphite